



独具人性关怀与专业热忱的销售服务体系
**THE UNIQUE HUMANE CARE
 AND PROFESSIONAL HOT ENTHUSIASTIC
 SALES SERVICE SYSTEM**

EVERGEAR®
恒齿传动

浙江恒齿传动股份有限公司
 ZHEJIANG EVERGEAR DRIVE CO.,LTD.

浙江省温州市平阳县万全镇万顺路199号
 No. 199, Wanshun Road, Wanquan Town,
 Pingyang County, Wenzhou City, Zhejiang Province

电话(TEL): 0577-63706661 63706662 63706663
 传真(FAX): 0577-63186666 63706669
 E-mail: zhejiang@evergear.com.cn
 www.evergear.com.cn



EVERGEAR®

石化行业传动方案专家

**DRIVE SOLUTION
 EXPERT IN PETROCHEMICAL
 INDUSTRY**



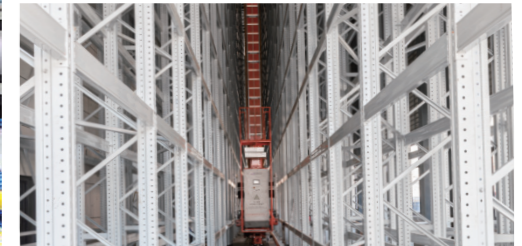
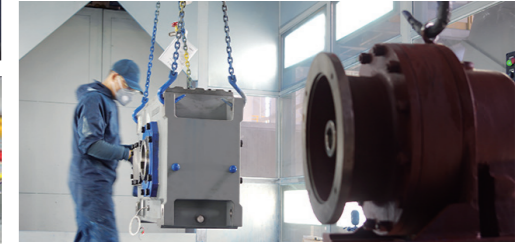
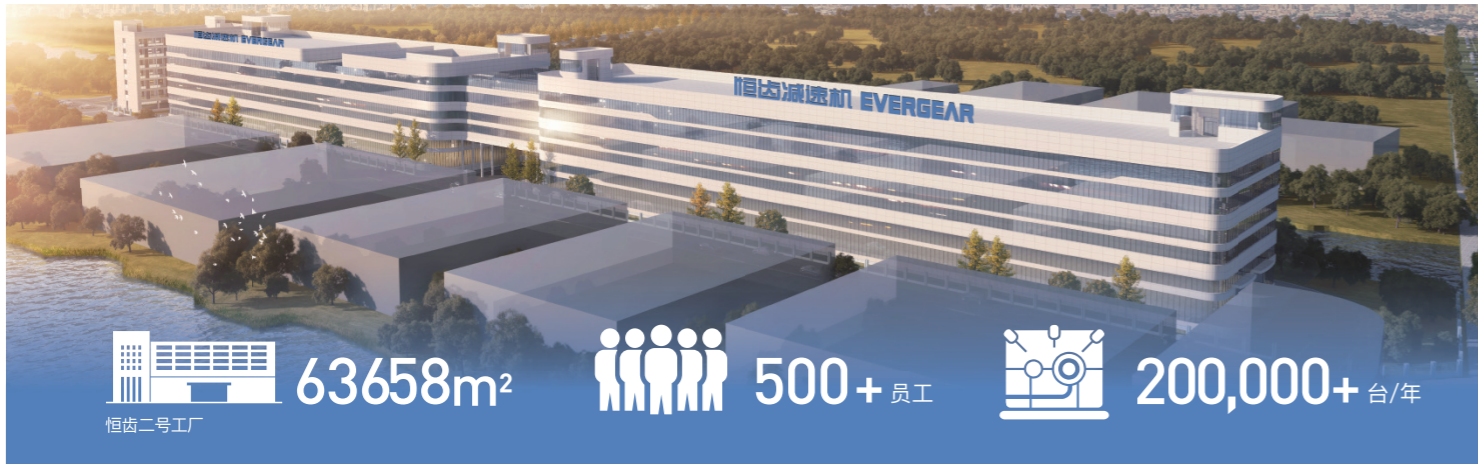
石油化工
 Petrochemical Industry

精细化工
 Fine Chemicals

新能源
 New Energy

环保水处理
 Environmental water treatment





先进的生产设备 是确保产品质量最好的物质基础

环保-污水处理 / 化工搅拌 / 新能源汽车 / 钢铁冶金 / 筑路机械 / 包装机械 / 塑料机械
物流自动线 / 光伏行业 / 电力水泥设备 / 动车轮毂设备 / 纺织设备 / 港口起重设备 / 金属拉丝设备
盾构机 / 啤酒饮料设备 / 粮食机械设备 / 电子专用设备 / 煤炭输送...

environmental protection sewage treatment / chemical mixing / new energy vehicles / steel metallurgy
road construction machinery / packaging machinery / plastic machinery / automatic logistics lines / photovoltaic industry
power cement equipment / wheel hub equipment / textile equipment / port lifting equipment
metal drawing equipment / Shield boring machine / Beer and beverage equipment
Grain machinery and equipment / Electronic special equipment / Coal transportation

COMPANY BRAND:

公司品牌:



浙江恒齿传动股份有限公司是一家集减速机产品研发、生产制造、销售服务于一体的知名企业。

公司主导系列产品有: ER、EK、EF、ES、EH/EB、EQ、EZ等12种之多, 配套功率0.18-4000KW, 数万种传动比, 并通过 ISO9001 质量管理体系、ISO14001 环境管理体系、ISO45001 职业健康安全管理体系和欧盟 CE 认证, 以高品质著称的“恒齿”产品供广大客户选择。

公司坚持以科技创新为本, 具有“省级企业研究院”称号, 致力于国际、国内减速机设备的研制、开发和数字化设计, 目前已取得 10 多项发明专利, 70 多项实用新型专利。

公司作为中国减速机标准化委员会委员单位已组织制定多项行业标准, 获评“国家高新技术企业”“品字标浙江制造”“浙江省科技型企业”“浙江省专利示范企业”“中国行业减速机十大品牌”“浙江省企业成长之星”“省级 AAA 级重合同守信用企业”、“省专精特新中小企业”“省级知识产权示范企业”“浙江制造精品名单”“生产制造方式转型示范项目名单”等多项荣誉称号。

我们秉承“恒之以心, 齿之以恒”的理念, 热忱欢迎国内外新老朋友, 莅临恒齿公司参观指导。

Zhejiang EVERGEAR Drive Co., Ltd is a national high-tech enterprise that integrates the research and development, production, manufacturing, sales and service of gear reducer products.

Company Leading products: ER, EK, EF, ES, EH/EB, EQ, EZ, etc twelve series. Motor power range: 0.18 ~ 4000KW, nearly tens thousands of ratios. The company has passed ISO9001 quality management system, ISO14001 environmental management system, ISO45001 occupational health and safety management system, and CE certification. Serial "EVERGEAR" products are for your choice.

The company adheres to technological innovation and has the title of "Provincial Enterprise Research Institute". It is committed to the research, development, and digital design of international and domestic reducer equipment. At present, it has obtained 10 invention patents and 70 utility model patents.

As a member unit of the China Reducer Standardization Committee, it has established many industry standards, the company has been awarded the titles of "National High-tech Enterprise", Label certification of Zhejiang Made- "品" (product), "Zhejiang Science and Technology Enterprise", "Zhejiang Patent Demonstration Enterprise", "Top Ten Chinese Reducer Brands", "Zhejiang Province Growing Star Enterprise", "Provincial AAA Level Contract Abiding and Trustworthy Enterprise", "Provincial specialized, Refined, and New small and Medium Enterprise", "Provincial Intellectual Property Demonstration Enterprise", "List of quality products made in Zhejiang" "List of demonstration projects for transformation of production and manufacturing methods" etc honorary titles.

We adhere to the concept of "Persist in heart, Persistent gears", we warmly welcome new and old friends from domestic and abroad to visit EVERGEAR for guidance.



精细化工设备传动方案

FINE PETROCHEMICAL
EQUIPMENTS DRIVE
SOLUTION



分离、过滤、萃取、提纯设备传动方案

SEPARATION, FILTRATION,
EXTRACTION, PURIFICATION
EQUIPMENTS DRIVE SOLUTION



石油化工设备传动方案

PETROCHEMICAL
EQUIPMENTS DRIVE
SOLUTION



新能源设备传动方案

NEW ENERGY
EQUIPMENTS DRIVE
SOLUTION



生物发酵设备传动方案

BIOLOGICAL
FERMENTATION EQUIPMENTS
DRIVE SOLUTION



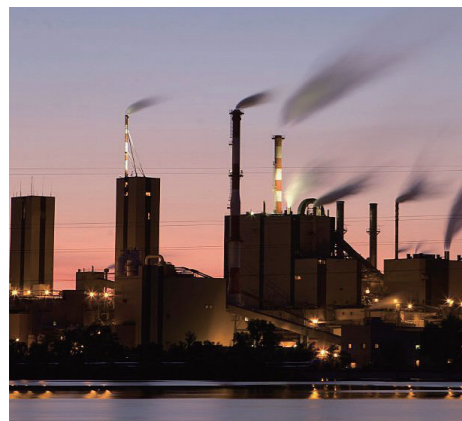
工业清洗及防腐设备技术传动方案

INDUSTRIAL CLEANING
AND ANTI-CORROSION EQUIPMENTS
DRIVE SOLUTION



储运、包装技术及压力容器传动方案

STORAGE & TRANSPORTATION,
PACKING TECHNOLOGY AND PRESSURE
VESSELS EQUIPMENTS DRIVE SOLUTION



环保水处理设备传动方案

ENVIRONMENTAL
PROTECTION & WATER TREATMENT
EQUIPMENTS DRIVE SOLUTION



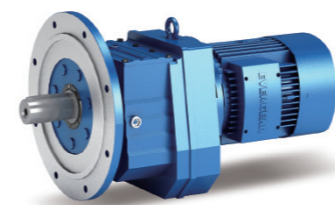
脱硫脱硝设备传动方案

DESULPHURIZATION
& DENITRIFICATION EQUIPMENTS
DRIVE SOLUTION



恒齿减速电机产品范围

EVERGEAR PRODUCTS RANGE



ER SERIES HELICAL
GEAR MOTOR

斜齿轮硬齿面减速机

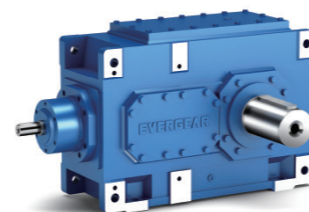
输出转速:
0.06-1125r/min

输出转矩:
最大 32000N.m

电机功率:
0.18-200kw

安装形式:
底脚安装 / 法兰安装

Output Speed:
0.06-1125r/min
Output Torque:
up to 32000N.m
Motor Power:
0.18-200kw
Mounted way:
foot-mounted / flange mounted



EH/EB HIGH POWER
REDUCER

大功率齿轮减速机

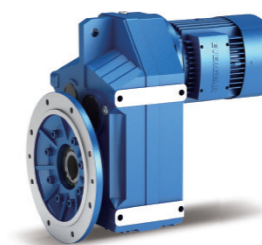
传动比:
1.25-450

输出转矩:
最大 900KN.m

电机功率:
2.2-5366kw

安装形式:
底脚安装 / 轴装安装

Ratio:
1.25-450
Output Torque:
up to 900KN.m
Motor Power:
2.2-5366kw
Mounted way:
foot-mounted / shaft mounted



EF SERIES PARALLEL SHAFT
HELICAL GEAR MOTOR

平行轴斜齿轮减速机

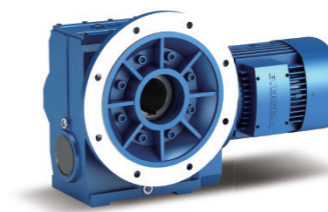
输出转速:
0.06-362r/min

输出转矩:
最大 32000N.m

电机功率:
0.18-200kw

安装形式:
底脚安装 / 法兰安装 / 轴装安装

Output Speed:
0.12-310r/min
Output Torque:
up to 32000N.m
Motor Power:
0.18-200kw
Mounted way:
foot-mounted / flange mounted / shaft mounted



ES SERIES HELICAL-WORM
GEAR MOTOR

蜗轮蜗杆减速机

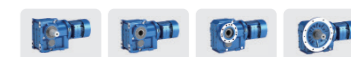
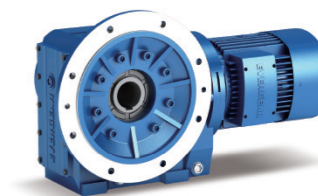
输出转速:
0.12-183r/min

输出转矩:
最大 4200N.m

电机功率:
0.18-22kw

安装形式:
底脚安装 / 法兰安装 / 轴装安装

Output Speed:
0.12-183r/min
Output Torque:
up to 4200N.m
Motor Power:
0.18-22kw
Mounted way:
foot-mounted / flange mounted / shaft mounted



EK SERIES HELICAL
BEVEL GEAR MOTOR

弧齿锥齿轮硬齿面减速机

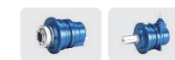
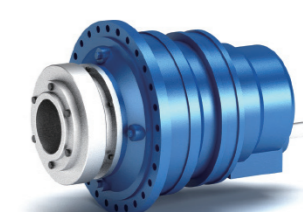
输出转速:
0.08-373r/min

输出转矩:
最大 50000N.m

电机功率:
0.18-200kw

安装形式:
底脚安装 / 法兰安装 / 轴装安装

Output Speed:
0.08-373r/min
Output Torque:
up to 50000N.m
Motor Power:
0.18-200kw
Mounted way:
foot-mounted / flange mounted / shaft mounted



EQ PLANETARY
GEAR REDUCER

行星齿轮减速机

传动比:
25-4000

输出转矩:
22-2600KN.m

电机功率:
0.19-12934kw

安装形式:
底脚安装 / 法兰安装 / 轴装安装

Ratio:
25-4000
Output Torque:
22-2600KN.m
Motor Power:
0.19-12934kw
Mounted way:
foot-mounted / flange mounted / shaft mounted

特点和优势

CHARACTERISTICS AND ADVANTAGES

1. 专业配套



我司的ERF系列减速机采用M4立式安装,可以广泛替换各种摆线减速机,提升效能和精度。

PROFESSIONAL APPLICATION

Our ERF series reducer adopts M4 Vertical installation, Various cycloid reducers can be widely replaced. Improve performance and accuracy.

2. 双密封



污水处理专用减速机的输出轴上的密封,采用双油封形式,避免漏油的发生。

DOUBLE SEAL

Sewage treatment special reducer The seal on the output shaft is in the form of a double oil seal. Avoid oil leakage.

3. 采用专业油杯



根据搅拌行业的特点,增加专业油杯设计,防止溢油。

PROFESSIONAL OIL CUP

According to the characteristics of the mixing industry, Increase professional oil cup design, Prevent oil from spilling over.

4. 输出轴特殊工艺



输出轴采用特殊热处理工艺,增加强度和效能

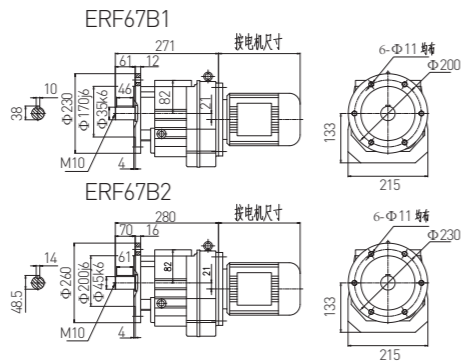
OUTPUT SHAFT SPECIAL PROCESS

Output shaft Special heat treatment process, Increase strength and performance

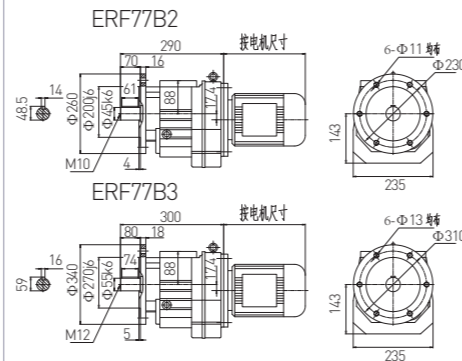
替换摆线减速机 法兰标准接口

REPLACE THE STANDARD INTERFACE OF THE CYCLOID REDUCER FLANGE

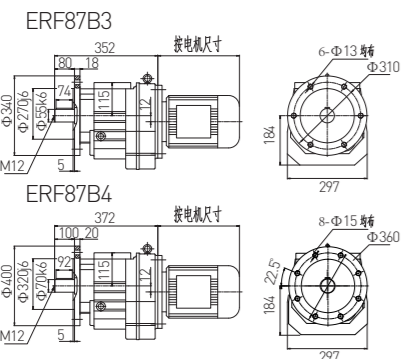
ERF67B系列外形及安装尺寸图



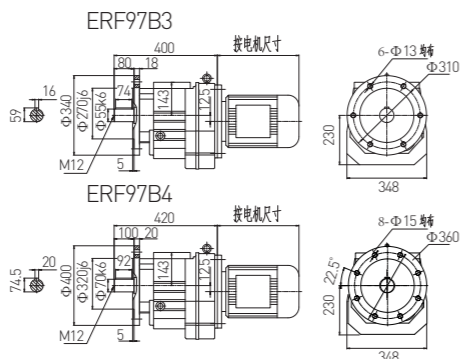
ERF77B系列外形及安装尺寸图



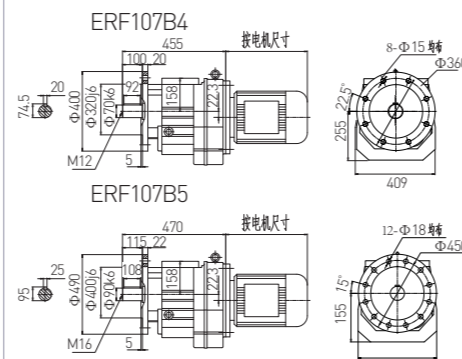
ERF87B系列外形及安装尺寸图



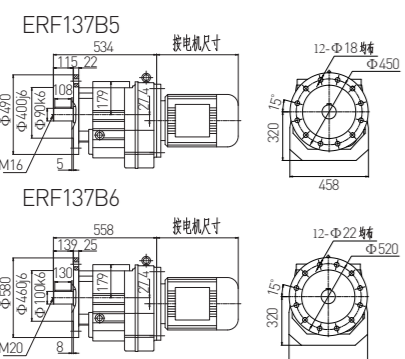
ERF97B系列外形及安装尺寸图



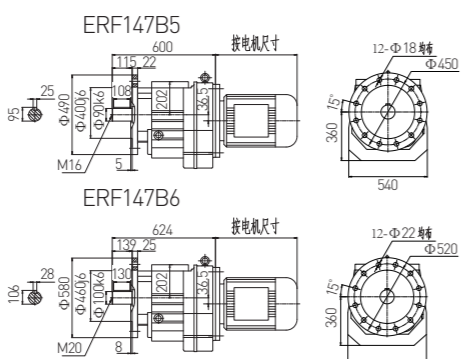
ERF107B系列外形及安装尺寸图



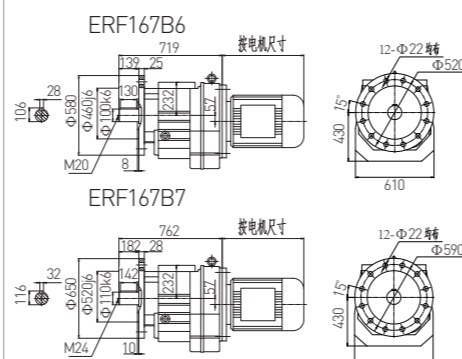
ERF137B系列外形及安装尺寸图



ERF147B系列外形及安装尺寸图

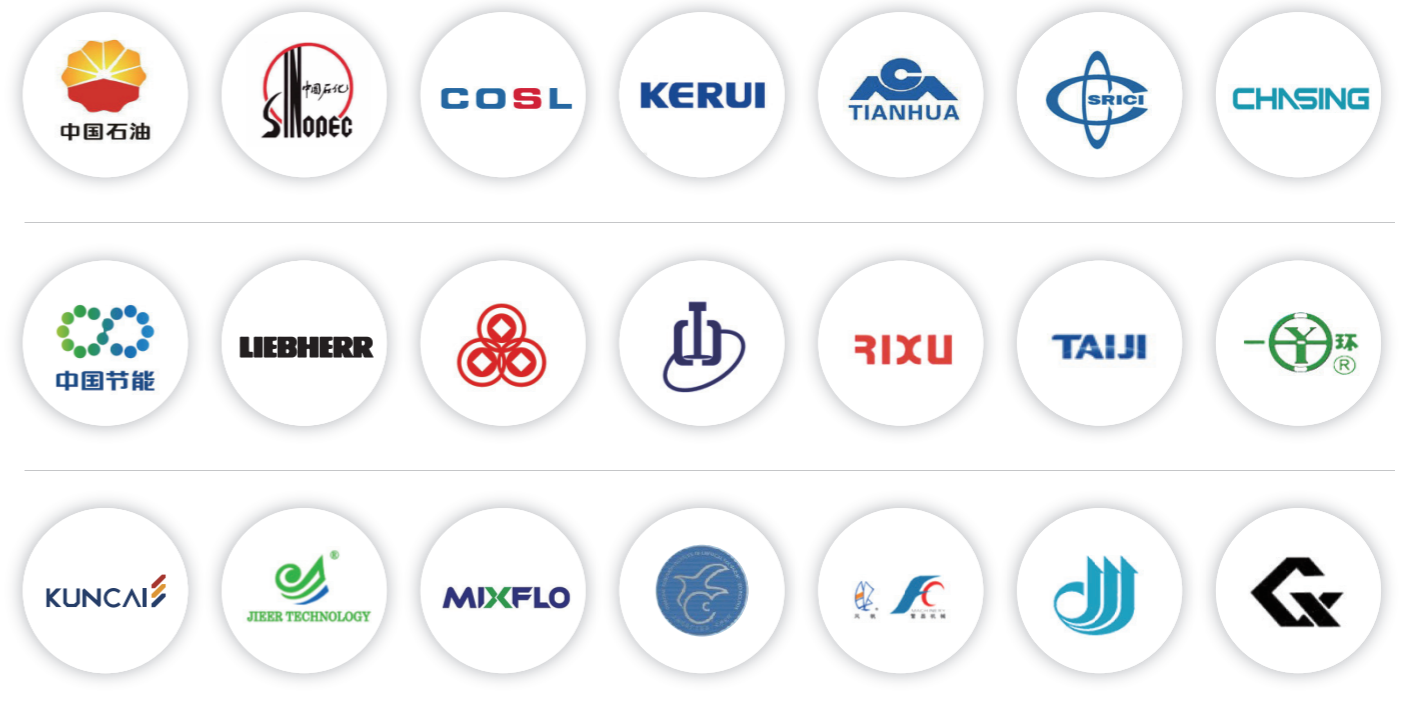


ERF167B系列外形及安装尺寸图



行业业绩

INDUSTRY PERFORMANCE



客户案例

CUSTOMER CASE

